



C SERIES WIRELINE CORING SYSTEM

WUXI DRILLING TOOLS FACTORY

Introduce to C series core barrels

C-series wireline core barrel designed by WUXI DRILLING TOOLS FACTORY, JINSANJIAO (short for JSJ) is our brand, introduces advanced technology.JSJ values innovation as well as interchangeability.Our products have independent intellectual property rights and fulfill geological exploration needs.Variety of products satisfies different drill depths and diameters.

Our C series products have good performance at accuracy and mechanism.their structure match with international standard in application of less than 1000-meter drilling.wireline rods are made of strong and ductile alloy steel pipes which whole piece processed.thread of drill rod is strengthened.

Base on the depth of drilling condition.C series drill rod divided drill rod into A and B grades.Two grades of rod vary in performance and price.please choose accordingly.Without concerned, our product produce on grade A.

C series wireline rod grades

Grade	Performance	Material	Heat treatment
A	standard	30CrMnSiA	Whole pipe thermal processed
B	premium	XJY850 (42CrMo)	Whole pipe thermal processed

Mechanical properties of drill rod

Steel Grade	Tensile Strength (MPa)	Yield Strength (MPa)	Elongation (%)	Impact Energy (AKV)
30CrMnSiA	≥950	≥840	≥10	40-44 (10*10mm)
XJY850	≥1000	≥870	≥12	60-80 (10*10mm)

Recommended depth for C rods

Outer Diameter	Type	Recommended drilling depth	
		A	B
55.6mm	BC	1700	2000
70.1mm	NC	1300	1500
88.9mm	HC	800	1000
114.3mm	PC	600	800

BIT AND REAMING SHELLS

CORE BARREL AND OVERSHOT ASSEMBLY

BC series wireline core barrel

NC series wireline core barrel

HC series wireline core barrel

PC series wireline core barrel

DRILL RODS

LIFTING TOOLS

Hoist plug

Slip hoist plug

Rod holder

CASING

Casing drive shoe

Casing lift up tools

Tube cutter

WATER SWIVEL

WRENCH

Circle wrench

RECOVERY TOOLS

Recovery tap

WIRELINE WINCH

ATTACHMENT: C SERIES BARREL WORKING PROPOSAL

BIT and REAMING SHELLS

Diamond Bits

JSJ possesses professional ability of C series drill bits and reaming shells. Our drilling bits have first-class quality excellent performance. Bits and reaming shells are designed on basis of ground condition. In respect of drilling in speed and useful life, our products are the most competitive products in China.

Shapes of lips: flat-bottom, circular, serration, pointed teeth, angle teeth, ladder, and ladder with end spray .

Standard : To cooperate with C series drilling tools, bits are designed on basis of different stratum condition. Our company also design and produce non-standard drilling bits according to customer's special requirements.

Recommendation : When hardness of stratum is high, low grade drilling bits are recommended to ensure matching of stratum. (please refer to the table below)

Notice: Outer diameter of drilling bit should be 0.5mm smaller than its matching reaming shell.

Hardness of stratum is a very important factor in selection of drilling bits. Appropriate choice of drilling bits will highly improve working efficiency and economical profit.

Diamond Bit Chooses Table

hardness		soft	Medium hard	Hard	Very hard
Name of rocks		Shale 、 mudstone 、 tuff 、 argillite、 limestone	Sandstone、 sandy shale、 rashing、 medium hard limestone、 soft dolomite、 hard shale	Serpentinite、 marble、 hard schist、 limonite、 diabase、 hard sandstone	Gneiss、 basalt、 granite、 rhyolite、 ferrite、 hornstone、 quartzite
Hardness of rock		Soft $\xrightarrow{\hspace{15em}}$ hard			
Abrasiveness		Weak to medium	Medium to high	High to medium weak	Medium weak
M A T R I X	HRC10-15				B10#
	HRC15-20				B9#
	HRC20-25			B8#	
	HRC25-30		B7#		
	HRC30-35		B6#		
	HRC35-40		B4#		
	HRC40-45		B2#		
	HRC45-50	B1#			
L i p	pointed tooth	Hard stratum			
	serration	Soft stratum			
	round tooth	Whole and hard stratum			
	flat bottom	Normally used in singled&double tube assembly			
	ladder	Declining stratum			
	end spray	Water soluble stratum			

PDC Bit

PDC(Polycrystalline Diamond Composite) drilling bits combine together the advantages of diamond's high wear resistance and alloy's compact resistance.PDC bits have good performance in soft and medium hard rocks (coal category) .Our company designs and produces different types of high-quality diamond PDC drilling bit on basis of stratum's condition.

Reaming Shell

Reaming shells are important parts of wireline core barrels.Their functions include reaming, stabilizing and maintaining the diameter of drilling hole.The recommended practice is to alternate two reaming shells in each hole drilled to maintain hole diameter.Upon bit changes, the reaming shell should be checked for wear with bit and shell wear gauge.Failure to observe these practices will result in either a poorly stabilized or an undersized hole that will require costly reaming.

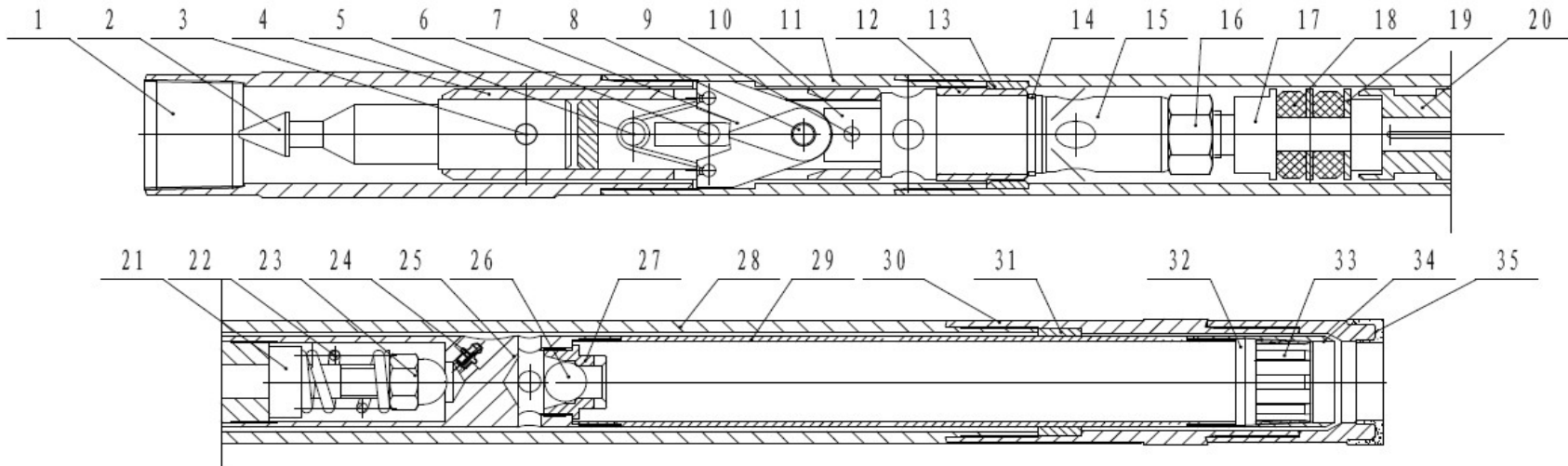
Parameter C series wire line coring system

Type	BC	NC	HC	PC
O.D of bit	59.5mm	74.6mm	95.6mm	122mm
I.D of bit	36.5mm	47.6mm	63.5mm	85mm
OD of reaming shell	60mm	75.8mm	96mm	122.6mm
OD of outer tube	57.2mm	73mm	92.1mm	117.5mm
ID of outer tube	46mm	60.3mm	77.8mm	103.2mm
OD of inner tube	42.9mm	55.6mm	73mm	95.3mm
ID of inner tube	38.1mm	50mm	66.7mm	88.9mm
OD of drill rod	55.6mm	70.1mm	89mm	114.3mm
ID of drill rod	46mm	60.1mm	77.8mm	101.6mm

Core Barrel and Overshot Assembly

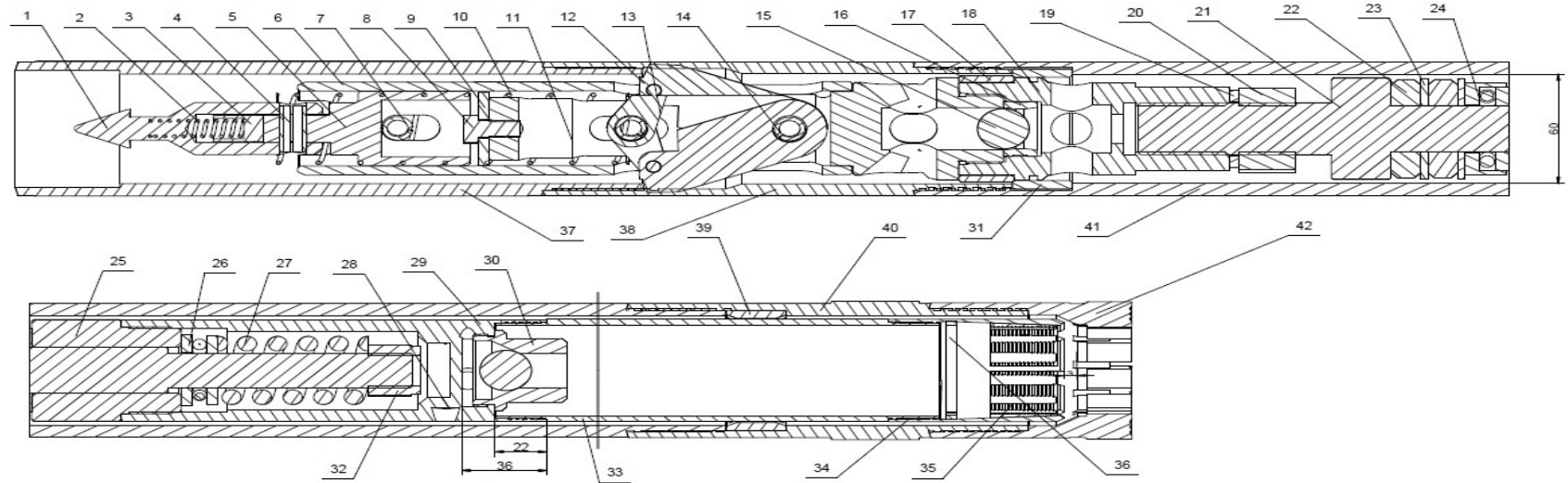
Core-Barrel parameters, configuration and components of barrel and overshot assembly is provided as below for reference.

BC Core Barrel Assembly



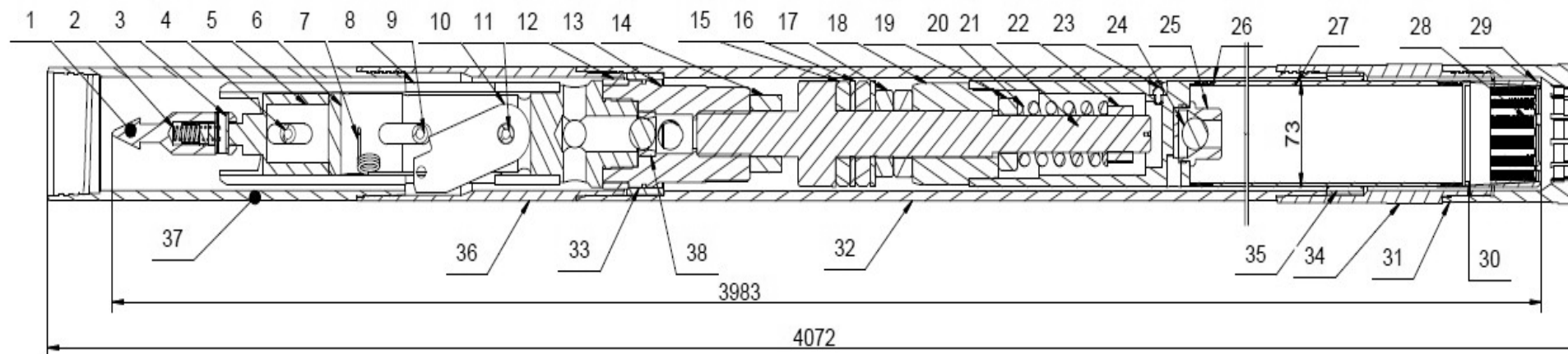
No	Code	Name	Qty	Remark	No	Code	Name	Qty	Remark
35	BC-35	Bit	1		17	BC-17	Spindle	1	
34	BC-34	Core Lifter Case	1		16	BC-16	Hex Nut	1	
33	BC-33	Core Lifter	1		15	BC-15	Upper Latch Body	1	
32	BC-32	Stop Ring	1		14	BC-14	Indicator Bushing	1	
31	BC-31	Inner tube stabilizer	1		13	BC-13	Landing Ring	1	
30	BC-30	Reaming shells	1		12	BC-12	landing shoulder	1	
29	BC-29	Outer Tube	1		11	BC-11	Adapter Coupling	1	
28	BC-28	Inner Tube	1		10	BC-10	Spearhead Base	1	
27	BC-27	Seal seat	1		9	BC-09	Spring Pin	1	
26	BC-26	Stainless Steel Ball	1		8	BC-08	Spring Pin	1	
25	BC-25	Inner-tube cap	1		7	BC-07	Latch	2	
24	BC-24	Grease Fitting	1		6	BC-06	Spring Pin	1	
23	BC-23	Stover lock Nut	1		5	BC-05	Link spring	1	
22	BC-22	Spring	1		4	BC-04	Latch Retracting Case	1	
21	BC-21	Thrust Bearing	2		3	BC-03	Spring Pin	1	
20	BC-20	Hanger Bearing	1		2	BC-02	Spearhead Point	1	
19	BC-19	Valve adjusting Washer	2		1	BC-01	Locking Coupling	1	
18	BC-18	Shut-off valve, hard	2						

NC Core Barrel Assembly



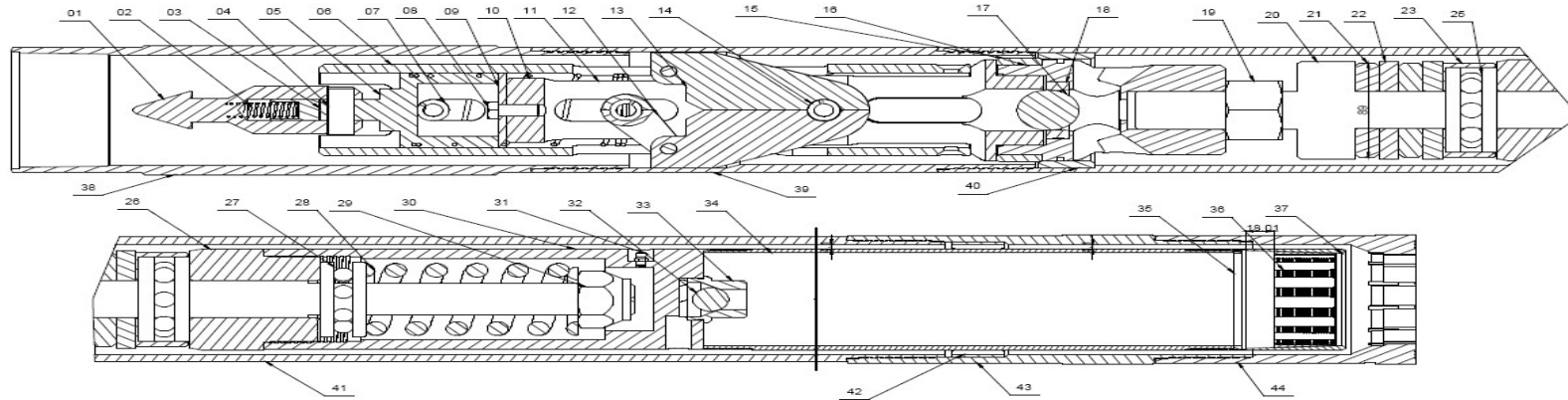
No	Code	Name	Qty	Remark	No	Code	Name	Qty	Remark
22	NC-22	Shut-Off Valve Hard	2		1	NC-01	Spearhead Point	1	
23	NC-23	Valve Adjusting Washer	2		2	NC-02	Compression Spring	1	
24	24312	Thrust Bearing	1		3	NC-03	Detent Plunger	1	
25	NC-25	Spindle Bearing	1		4	NC-04	Spring pin7/16x1	1	
26	18298	Hanger Bearing	1		5	NC-05	Spearhead Base	1	
27	NC-27	Compression Spring	1		6	NC-06	Latch Retracting Case	1	
28	NC-28	Grease Fitting	1		7	NC-07	Spring pin	2	
29	NC-29	Inner Tube Cap	1		8	NC-08	Bolt	1	
30	NC-30	Check Valve Body	1		9	NC-09	Washer	1	
31	NC-31	Landing Ring	1		10	NC-10	Latch Compression Spring	1	
32	NC-32	Stover lock Nut	1		11	NC-11	Upper Latch Body	1	
33	NC-33	Inner Tube	1		12	NC-12	Latch	2	
34	NC-34	Core Lifter Case	1		13	NC-13	Link	2	
35	NC-35	Core Lifter	1		14	NC-14	Spring pin	1	
36	NC-36	Stop Ring	1		15	NC-15	Stainless Steel Ball	2	
37	NC-37	Locking Coupling	1		16	NC-16	Landing Indicator Bushing	1	
38	NC-38	Adapter Coupling	1		17	NC-17	Landing shoulder	1	
39	NC-39	Inner tube stabilizer	1		18	NC-18	Lower Latch Body	1	
40	NC-40	Reaming shells	1		19	NC-19	Washer, Nord-Lock	1	
41	NC-41	Outer Tube	1		20	24885	Hex Nut	1	
42	NC-42	Bit	1		21	NC-21	Spindle	1	

HC Core Barrel Assembly



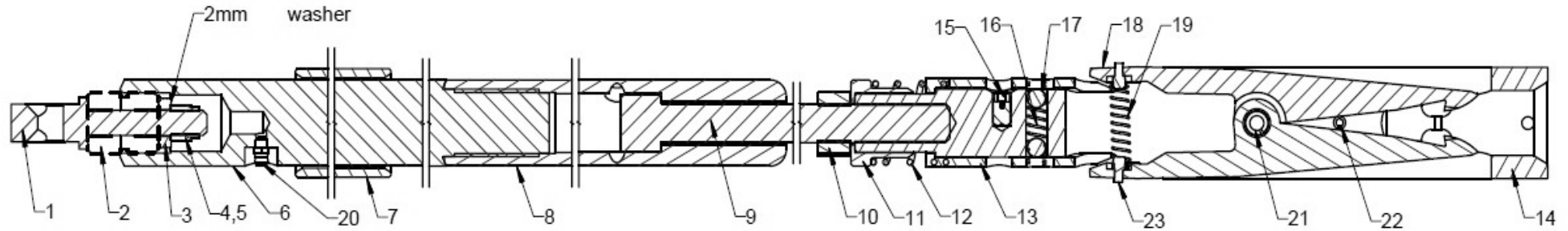
No	Code	Name	QTY	Remark	No	Code	Name	QTY	Remark
38	HC-38	Landing Indicator Bushing	1		19	HC-19	Hanger Bearing	1	
37	HC-37	Locking Coupling	1		18	HC-18	Spindle Bearing	1	
36	HC-36	Adapter Coupling	1		17	HC-17	Thrust Bearing	2	
35	HC-35	Inner tube stabilizer	1		16	HC-16	Valve Adjusting Washer	2	
34	HC-34	Reaming shells	1		15	HC-15	Shut-Off Valve Hard	2	
33	HC-33	Landing Ring	1		14	HC-14	Hex Nut	1	
32	HC-32	Outer Tube	1		13	HC-13	Lower Latch Body	1	
31	HC-31	Impregnated Bit	1		12	HC-12	Landing Shoulder	1	
30	HC-30	Stop Ring	1		11	HC-11	Spring pin	1	
29	HC-29	Core Lifter Case	1		10	HC-10	Latch	2	
28	HC-28	Core Lifter	1		9	HC-09	Spring pin	2	
27	HC-27	Inner Tube	1		8	HC-08	Latch Retracting Case	1	
26	HC-26	Check Valve Body	1		7	HC-07	Link	1	
25	HC-25	Inner Tupe Cap	1		6	HC-06	Upper Latch Body	1	
24	HC-24	Stainless Steel Ball	2		5	HC-05	Spearhead Base	1	
23	HC-23	Grease Fitting	1		4	HC-04	Spirol Pin 7/16x1	1	
22	HC-22	Stover lock Nut	1		3	HC-03	Detent Plunger	1	
21	HC-21	Spindle	1		2	HC-02	Compression Spring	1	
20	HC-20	Compression Spring	1		1	HC-01	Spearhead Point	1	

PC Core Barrel Assembly



N0	Code	Name	QTY	Remark	N0	Code	Name	QTY	Remark
43	PC-44	Impregnated Bit	1		22	PC-22	Valve Adjusting Washer	2	
42	PC-43	reaming shell	1		21	PC-21	Shut-Off Valve Hard	2	
41	PC-42	Centralizer Ring	1		20	PC-20	Spindle Hollow	1	
40	PC-41	Outer tube	1		19	PC-19	NUT, hex, 1/4-20UNC	1	
39	PC-40	Landing Ring	1		18	PC-18	Landing Indicator Bushing	1	
38	PC-39	Adapter Coupling	1		17	PC-17	Stainless Steel Ball	1	
37	PC-38	Locking Coupling	1		16	PC-16	Lower Latch Body	1	
36	PC-37	Core Lifer Case	1		15	PC-15	Landing Shoulder	1	
35	PC-36	Core Lifer	1		14	PC-14	Spring pin	1	
34	PC-35	Stop Ring	1		13	PC-13	Latch	2	
33	PC-34	Inner Tube	1		12	PC-12	Link	2	
32	PC-33	Inner Tube Cap	1		11	PC-11	Upper Latch Body	1	
31	PC-32	Stainless Steel Ball	1		10	PC-10	Latch compression Spring	1	
30	PC-31	Grease Fitting	1		09	PC-09	Washer	1	
29	PC-30	Inner-tube cap	1		08	PC-08	Self locking Nut	1	
28	PC-29	Self locking Nut	1		07	PC-07	Spring pin	2	
27	PC-28	Compression Spring	1		06	PC-06	Latch Retracting Case	1	
26	PC-27	Thrust Bearing	1		05	PC-05	Spearhead Base	1	
25	PC-26	Spindle Bearing	1		04	PC-04	Spring pin	1	
24	PC-25	Thrust Bearing	1		03	PC-03	Spring pin	1	
23	PC-23	Washer, Tapered	1		02	PC-02	Compression Spring	1	
					01	PC-01	Spearhead Point	1	

BC/NC/HC/PC Overshot Assembly



No	Code	Name	Qty	Remark	No	Code	Name	Qty	Remark
23		Rivet	2		12	C-DLQ-08	Spring	1	
22		Pin ϕ 6X50	1		11	C-DLQ-07	Spring base	1	
21		Pin ϕ 12X50	1		10		Nut	1	
20		Grease fitting M6	1		9	C-DLQ-06	Jar staff	1	
19	C-DLQ-13	Spring	1		8	C-DLQ-05	Jar bar	1	
18	C-DLQ-12	Lifting dog	2		7	C-DLQ-04	Locking sleeve	1	
17		ϕ 9Stainless ball	2		6	C-DLQ-03	Cable swivel body	1	
16	C-DLQ-11	Spring	1		5		Cotter pin3.2X28	1	
15		Lock NutM10X12	1		4		Nut M12	1	
14	C-DLQ-10	Overshot head	1		3		Bearing	1	
13	C-DLQ-09	Cap	1		2	C-DLQ-02	Cable swivel collar	1	
					1	C-DLQ-01	Eye bolt	1	

Drill Rods

Our C series wireline drill rods are made of strong and ductile alloy-steel pipe which are whole pipe thermal processed. Rod threads are formed using former cutters and specially hardened so that their accuracy and mechanism reach advanced world standard.

Parameter of C (size B、N、H、P) series wireline rods are below for reference.

Type	O.D (mm)	I.D (mm)	Thread length	Tooth angle	Hardness	Weight
BC	55.6	46	44.45	29°	HRC28-32	6kg/m
NC	70.1	60.1	44.45	29°	HRC28-32	8.3kg/m
HC	88.9	77.8	44.45	29°	HRC28-32	11.5kg/m
PC	114.3	103.2	63.5	29°	HRC28-32	16.8kg/m
CPH	114.3	101.6	60	unsymmetry	HRC20-24	17.3kg/m

C series drilling rods packaging and delivery

For our client's convenience, our company provides clients with standardized packing.packing contents:

- 1、 Anti-corrosion of every rod.
- 2、 Protection of rod thread.
- 3、 Package and storage

Parameters of rod package

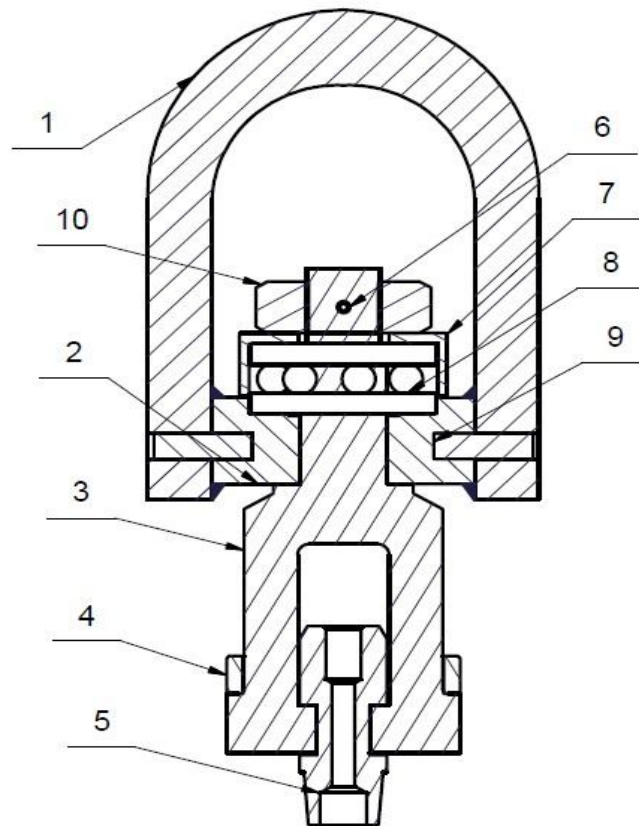
Type	Length meter	Size (L*W*H) m	Qty /package	G.W/package
BC	1.5	1.6*0.38*0.43	40	385
BC	3	3.1*0.38*0.43	40	760
NC	1.5	1.6*0.45*0.5	25	320
NC	3	3.1*0.45*0.5	25	625
HC	1.5	1.6*0.55*0.6	25	455
HC	3	3.1*0.55*0.6	25	890
PC	1.5	1.6*0.7*0.75	25	665
PC	3	3.1*0.7*0.75	25	1315

Lifting Tool

Hoist Plug and Slide Hoist Plug

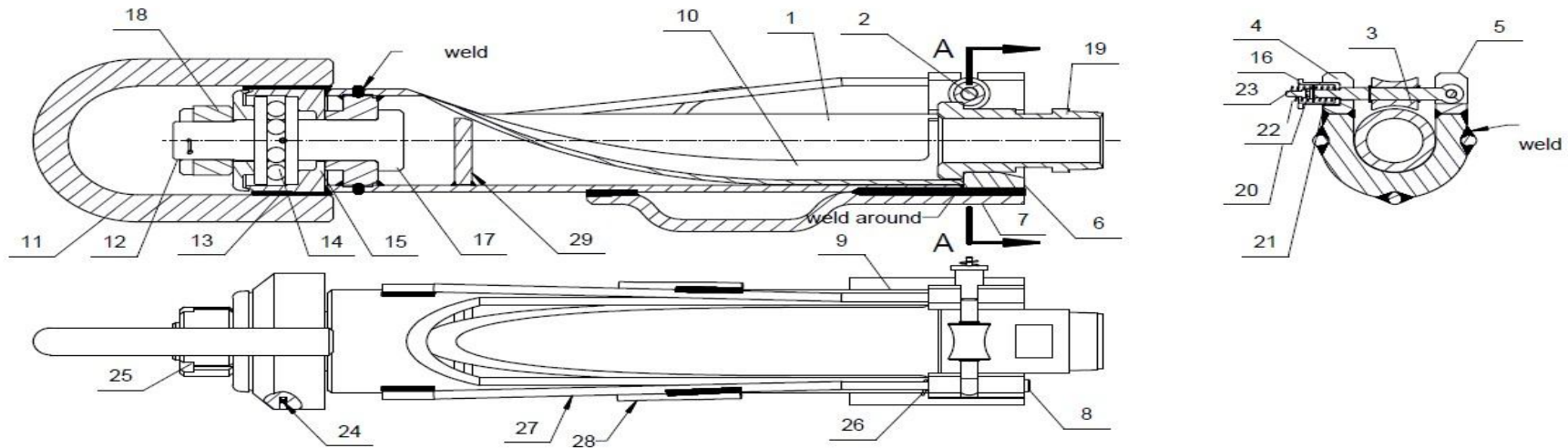
Hoist Plug is a necessary tool in wireline core geological exploration. To be applied in deep hole drilling, they must safety withstand heavy load. Our company provide clients with 60T Hoist Plug, which is compatible with C series drill tools.

Instruction to parts of 60T Hoist Plug is below.



No	Code	Name	QTY	Description
10	M64 x 4	Nut	1	
9	CT60-9	Pin	2	
8	51415	Bearing	1	
7	CT60-7	Bearing cap	1	
6	GB/T 879.1	Pin	1	10 x 120
5	CT60-5	Lifting head	1	
4	CT60-4	Stop ring	1	
3	CT60-3	Lifting base	1	
2	CT60-2	Bearing base	1	
1	CT60-1	Lifting ring	1	

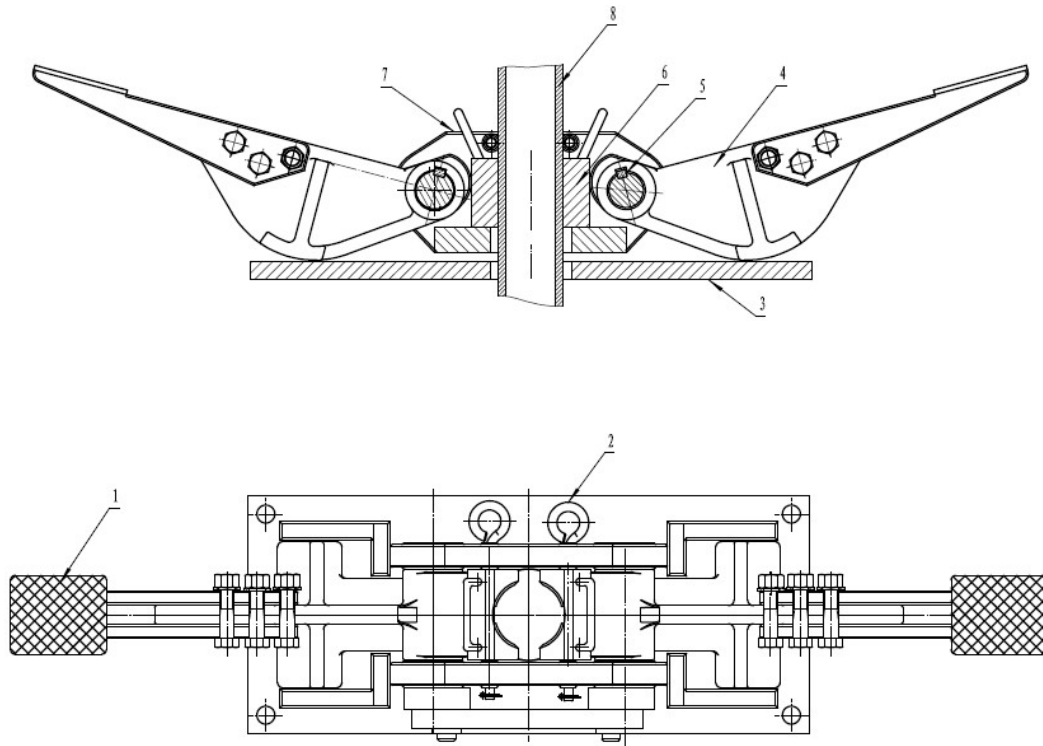
Slipe Hoist Plug



No	Code	Name	Qty	Remark	No	Code	Name	Qty	Remark
30	GB 894.1 - 18	Shaft stop	1		15	GB 301-84 - 8412	Bearing	1	
29	PG-TYQ-29	Baffle	1		14	PG-TYQ-14	Cap	1	
28	PG-TYQ-28	Branch	2		13	PG-TYQ-13	Bearing base	1	
27	PG-TYQ-27	Hand grab	2		12	PG-TYQ-12	Spindle	1	
26	ISO 1234 - 3.2 x 22	Cotter pin	1		11	PG-TYQ-11	Lifting ring	1	
25	ISO 1234 - 3.2 x 63	Cotter pin	1		10	PG-TYQ-10	Guidance	1	
24	JIS B 1575 - M 6 F	Fitting	1		9	PG-TYQ-09	Enhance	2	
23	GB ϕ 8	Spring plate	1		8	PG-TYQ-08	Pin	1	
22	GB 6172-86 - M8	Nut	1		7	PG-TYQ-07	Handle	1	
21	PG-TYQ-21	Spring	1		6	PG-TYQ-06	Lifting base	1	
20	ANSI B18.22M - 8 R	Washer	1		5	PG-TYQ-05	Locking spindle	1	
19	PG-TYQ-19	Head	1		4	PG-TYQ-04	Locking	1	
18	PG-TYQ-18	Nut	1		3	PG-TYQ-03	Wheel	1	
17	PG-TYQ-17	Slide	1		2	PG-TYQ-02	Spindle	1	
16	PG-TYQ-16	Bolt	1		1	PG-TYQ-01	half-pipe	1	

Rod Holder

The holder is used to hold drill rod during lifting. It consists foot board、connection bar、spindle、jaws、jaws base and holder base,the assembly is below. When it works, push the jaws to hold the drill rod, with the strength of the rod's own weight, jaws catch more tighter. The holder have a simply structure and long lifetime, is wildly used in China.



No	Code	Name	Qty	Remark
1	JCQ-1	Foot board	2	
2	JCQ-2	Pin	2	
3	JCQ-3	Holder base	1	
4	JCQ-4	Connection bar	2	
5	JCQ-5	Spindle	2	
6	JCQ-6	Jaws	2	
7	JCQ-7	Jaws base	1	
8	JCQ-8	Drill pipe	1	

Casing

In geological exploration, application of casing pipe is necessary. In C series drilling tools working project, larger sized drill rods are usually selected as casings. But for economical consideration, using drill rods as casing is very quickly wear, so casing pipes are introduced as an alternative option. Our company recommended W series casing, which are reusable, effective and economical. Casings are made of high quality geological pipes, and they are connected tightly using pin and box thread. W series casings also have matched casing drive shoes.

Feathers of W series casing pipes are provided below:

W Series Casing Specification (DCDMA standard)

Type	O.D	I.D	Length of casing				Thread pitch	Thread length	Weight of casing
BW	73mm	60.3mm	1.5m	3m	4.5m	6m	6.35mm	63.5mm	8.38kg/m
NW	88.9mm	76.2mm	1.5m	3m	4.5m	6m	6.35mm	69.85mm	12.3kg/m
HW	114.3mm	101.6mm	1.5m	3m	4.5m	6m	6.35mm	76.2mm	16.9kg/m
PW	139.7mm	127mm	1.5m	3m	4.5m	6m	8.47mm	82.55mm	20.8kg/m
HWT	114.3mm	101.6mm	1.5m	3m	4.5m	6m	8.47mm	62.84mm	16.9kg/m
PWT	139.7mm	127mm	1.5m	3m	4.5m	6m	8.47mm	62.84mm	20.8kg/m

Parameters of casing package

Type	Length	Size (L*W*H)	Qty/package	G.W/package
BW	1.5	1.6*0.48*0.53	25	320
BW	3	3.1*0.48*0.53	25	645
NW	1.5	1.6*0.55*0.60	25	470
NW	3	3.1*0.55*0.60	25	925
HW	1.5	1.6*0.70*0.75	25	455
HW	3	3.1*0.70*0.75	25	890
PW	1.5	1.6*0.80*0.85	25	665
PW	3	3.1*0.8*0.85	25	1315
HWT	1.5	1.6*0.70*0.75	25	455
HWT	3	3.1*0.70*0.75	25	890
PWT	1.5	1.6*0.80*0.85	25	665
PWT	3	3.1*0.8*0.85	25	1315

Remark: The normal length of casing is 1.5m and 3m.

Casing drive shoe

Whatever form of casing is, casing drive shoe must be fitted on top of casing when put into drill hole. The edges of casing drive shoe exposed to rocks is very few. Casing drive shoes are connected with casing by means of thread. Outer diameter of casing drive shoe is same as bits, with its inner diameter equal to or slightly less than casing's. Such design make it is possible for core tube, drill rod and core barrel to pass through in order to extend geological exploration.

Main functions of casing drive shoe:

- 1、Protect casing ends from distortion.
- 2、Help casing pass through stratum to bed rock.

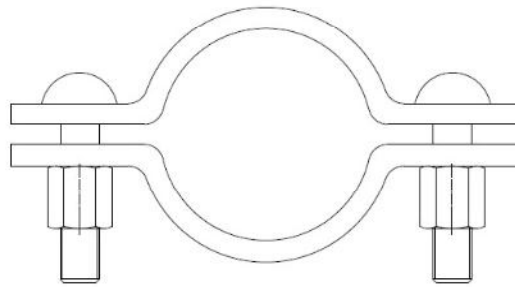
- 3、 Carry mud back to earth surface.
- 4、 Help down-pass the casing when drill rod is in hole.

Casing Lift-up Tools

In some situations, for economical and environment considerations casings need to be recycled when project was done. Main equipments we using to recycle casing are casing clamps.

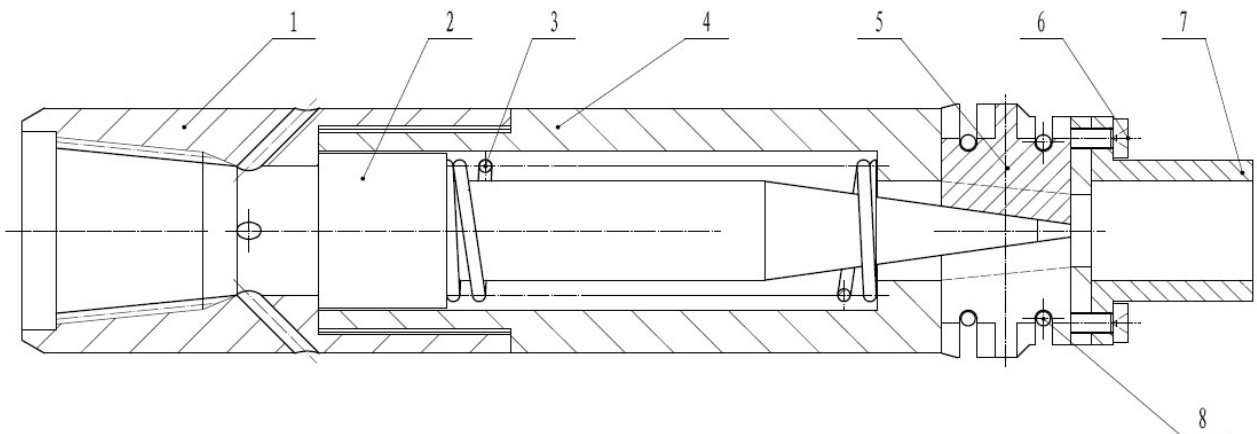
Casing clamp

Aid to take out casings. Below is the diagram of clamps made by our company for client's reference.



Casing Cutter

When lifted up, sometimes casing be stuck inside the drill hole due to friction. In this case, we use casing cutter to cut at an appropriate point on the casing to recycle as more casings as possible. Casing cutters produced by our factory are easy to operate and reliable. Below is the introduction to casing cutter.

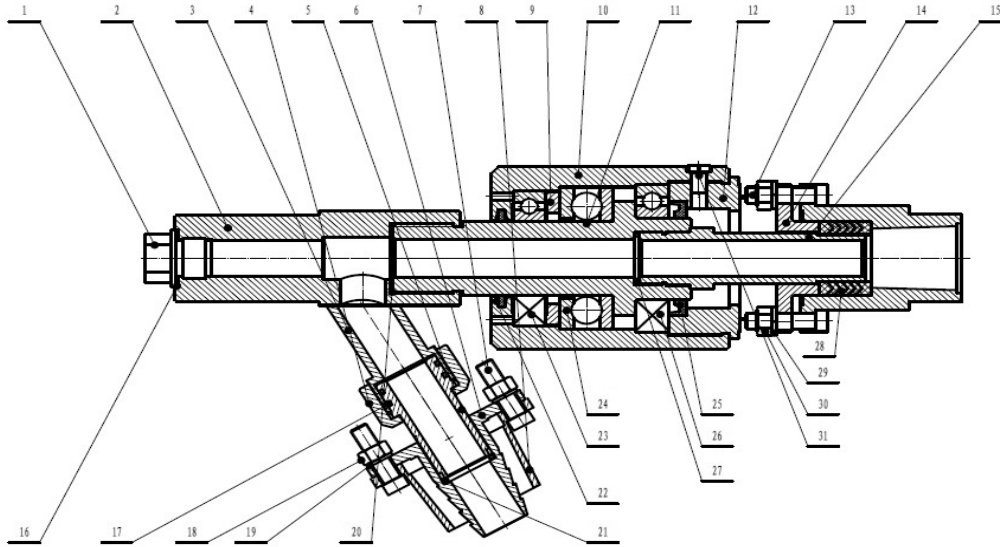


No	Code	Name	Qty	Remark
1	QGQ-1	Coupling	1	
2	QGQ-2	Spindle	1	
3	QGQ-3	Spring	1	
4	QGQ-4	Cutter hold	1	
5	QGQ-5	Cutter	4	
6	QGQ-6	Bolt M5X10	4	
7	QGQ-7	Cap	1	

8	QGQ-8	Spring	2	
---	-------	--------	---	--

Water Swivel

Designed to meet the high drilling in speed of wireline core exploration, our water swivels have following features: tight, small volume, light, easy maintenance, single action and good seal.our water swivel could cooperate with C series drilling tools within 1500 meters drilling application.

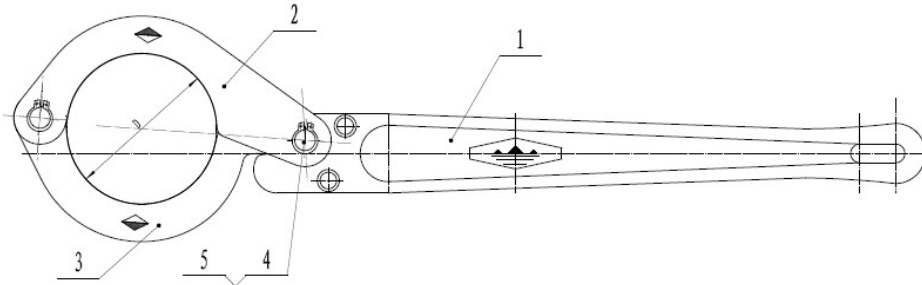


No	Code	Name	Qty	Remark
31	SLT-31	BoltM10 X 30	1	
30	SLT-30	NUT12	2	
29	SLT-29	Spring washer	2	
28	SLT-28	O ring	4	
27	SLT-27	O ring	1	
26	SLT-26	Bearing	1	
25	SLT-25	Oil seal	1	
24	SLT-24	Bearing	1	
23	SLT-23	Bearing	1	
22	SLT-22	Washer	1	
21	SLT-21	O ring	1	
20	SLT-20	O ring	1	
19	SLT-19	Spring washer	2	
18	SLT-18	Nut M14	2	
17	SLT-17	O ring	3	
16	SLT-16	O ring	1	
15	SLT-15	Core pipe	1	
14	SLT-14	Cap	1	
13	SLT-13	Bolt	2	
12	SLT-12	Lower adapter	1	
11	SLT-11	Spindle	1	
10	SLT-10	Outer shell	1	
9	SLT-9	Washer	1	
8	SLT-8	Pressing cap	1	
7	SLT-7	Bolt	2	
6	SLT-6	Adapter	1	
5	SLT-5	Connection pipe	1	
4	SLT-4	Nut	1	
3	SLT-3	Belt pipe	1	
2	SLT-2	Upper adapter	1	
1	SLT-1	Pipe plug	1	

WRENCH

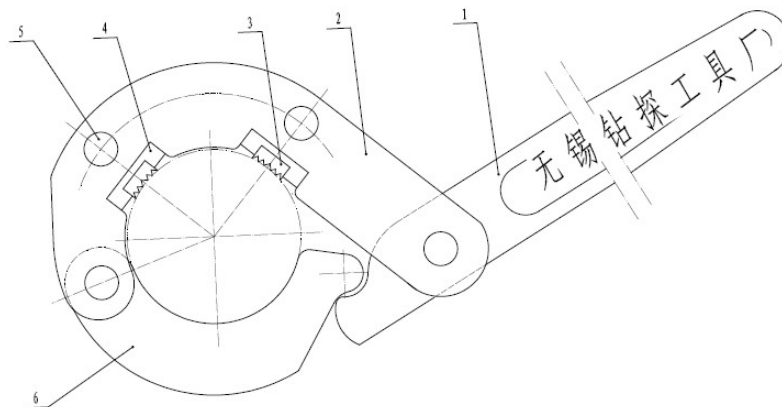
Manufactured with advanced technique, Circle wrenches can avoid damage to rods and bits. They are especially fit to screw up and off rods and casing. Diamond circle wrench are usually used for inner tube, the alloy for outer tube or drill rods.

Diamond circle wrench



No	Code	Name	Qty	Remark
5		Melt	2	
4		Shaft	4	
3		Locking board	1	
2		Connection board	2	
1		Handle	1	

Alloy circle wrench

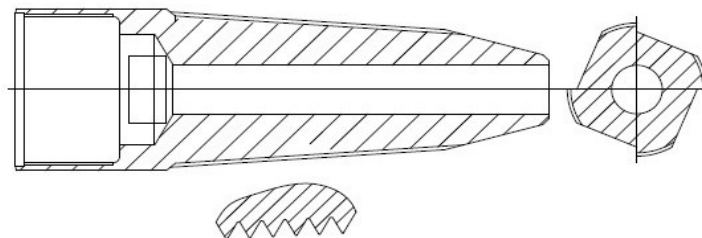


No	Code	Name	Qty	Remark
6		Locking board	1	
5		Rivet	4	
4		Middle board	2	
3		Carbine	4	
2		Connection board	2	
1		Handle	1	

Recovery Tools

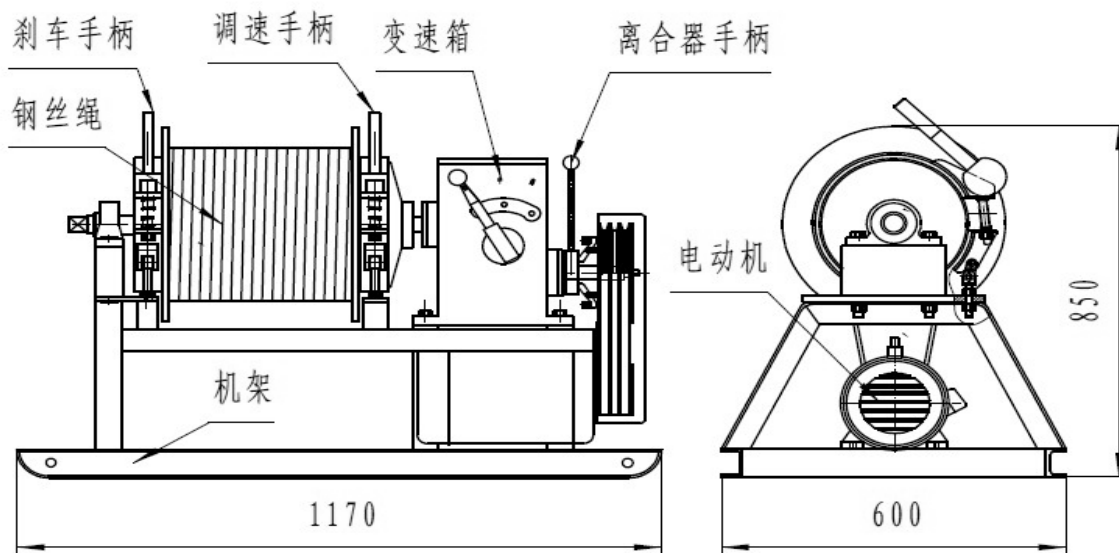
Casing Recovery Taps

Our recovery taps have self-tapping threads, improved recovery connection.



Wireline winch

Our factory manufacturer four types of wireline winch. Take 1500 type for example, Our 1500 type winch is driven by diesel motor power and suitable for as deep as 1500 meters hole drill project. The engine of winch depends on customer demands, The main engine are diesel engine、hydraulic 、electrical .



Wire-line winch performance parameters

1500 type winch	
Power	4.5KW
Max load	0.6T
Length of cable	1500m
Diameter of cable	5mm
Net Weight (Without engine)	375kg

C SERIES BARREL WORKING PROPOSAL

Here is a construction proposal for under 1000 meters drill. For reference only.

一、Hole opening					
Hole opening use PW series core barrel to drill 50-100m, put in PW series casing pipes.					
No	Name	Type	Qty	Unit	Remark
1	0.5m core barrel	PW	1	PCS	
2	1.5m core barrel	PW	1	PCS	

3	3m core barrel	PW	1	PCS	
4	Alloy bit	PW	2	PCS	
5	Diamond bit	PW	2	PCS	
6	PDC bit	PW	2	PCS	
7	Casing	PW	50-100	meter	
8	Casing shoe	PW	1	PCS	
9	Casing wrench	PW	2	PCS	
10	Casing clamp	PW	2	PCS	

二、PC barrel working plan

Estimated depth: 300m.put in HW casing (or use PC drilling rod as casing)

No	Name	Type	Qty	Unit	Remark
1	0.5m wireline rod	PC	2	PCS	
2	1.5m wireline rod	PC	1	PCS	
3	3m wireline rod	PC	330	METER	
4	Core barrel	PC	2	SET	
5	Overshot assembly	PC	1	SET	
6	Diamond bit	PC	5	PCS	
7	Reaming shell	PC	3	PCS	
8	PDC bit	PC	2	PCS	
9	Rod wrench	PC	2	PCS	
10	Outer tube wrench	PC	2	PCS	
11	Inner tube wrench	PC	2	PCS	
12	Casing	HW	330	METER	
13	Casing drive shoe	HW	2	PCS	
14	Casing clamp	HW	2	PCS	

三、HC barrel working plan

Estimated depth: 600m.put in NW casing (or use HC drilling rod as casing)

No	Name	Type	Qty	Unit	Remark
1	3m wireline rod	HC	630	METER	
2	Core barrel	HC	2	SET	
3	Overshot assembly	HC	1	SET	
4	Diamond bit	HC	5	PCS	
5	Reaming shell	HC	3	PCS	
6	Rod wrench	HC	4	PCS	
7	Outer tube wrench	HC	2	PCS	
8	Inner tube wrench	HC	2	PCS	
9	Casing	NW	630	METER	
10	Casing drive shoe	NW	1	PCS	
11	Casing wrench	NW	2	PCS	
12	Casing clamp	NW	2	PCS	

四、NC barrel working plan

Estimated depth: to final end 1000m

No	Name	Type	Qty	Unit	Remark
1	3m wireline rod	NC	1050	METER	
2	Core barrel	NC	2	SET	
3	Overshot assembly	NC	1	SET	
4	Diamond bit	NC	5	PCS	
5	Reaming shell	NC	3	PCS	
6	Rod wrench	NC	4	PCS	
7	Outer tube wrench	NC	2	PCS	

8	Inner tube wrench	NC	2	PCS	
9	Casing	BW		METER	optional
10	Casing drive shoe	BW		PCS	optional
11	Casing wrench	BW		PCS	optional
12	Casing clamp	BW		PCS	optional
五、BC barrel working plan					
If NC barrel cannot reach the end, put in BW series casing (or NC series rods) and use BC series barrel instead.					
No	Name	Type	Qty	Unit	Remark
1	3m wireline rod	BC	1050	METER	
2	Core barrel	BC	2	SET	
3	Overshot assembly	BC	1	SET	
4	Diamond bit	BC		PCS	Optional
5	Reaming shell	BC		PCS	
6	Rod wrench	BC		PCS	
7	Outer tube wrench	BC		PCS	
8	Inner tube wrench	BC		PCS	
Other equipments					
一、Lifting tools					
No	Name	Type	Qty	Unit	Remark
1	Hoisting plugs Casing lifting adapter	65	2	SET	
		PW/65	2	PCS	
		HW/65	2	PCS	
		NW/65	2	PCS	
		BW/65	2	PCS	optional
2	Water swivel Adapter sub	50	2	SET	
		PC/50	1	PCS	
		HC/50	2	PCS	
		NC/50	2	PCS	
		BC/50	2	PCS	optional
3	Adapter sub	PC/PW	1	PCS	
		HC/HW	1	PCS	
		NC/BW	1	PCS	
二、Recovery tool					
No	Name	Type	Qty	Unit	Remark
1	Recovery Taps	PW	1	SET	Adapter sub available
		PW(HC)	1	SET	
		HW(NC)	2	SET	
		NW(BC)	2	SET	
三、Thread oil					
No	Name	Type	Qty	Unit	Remark
1	Thread Grease	5kg/pcs	10		5kg/pcs

Wuxi Drilling Tools Factory

Department of International Trade

ADD: 8ChangyuanRoad ,HuiShan Economic Development District,Wuxi City,Jiangsu Province,China

Tel: +86-510-83769831

Fax: +86-510-83769831

E-mail: wxdrillingtools@gmail.com

Web: www.drillingtoolschina.com